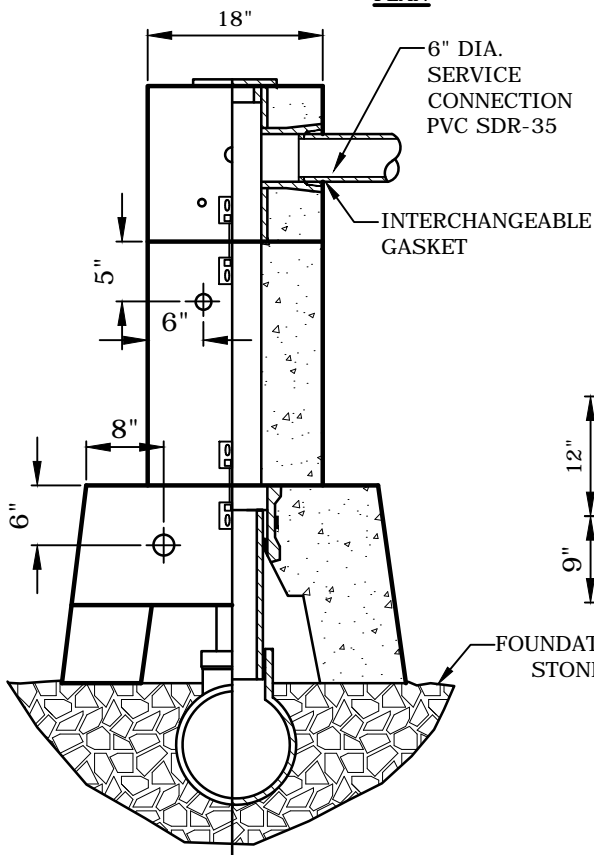


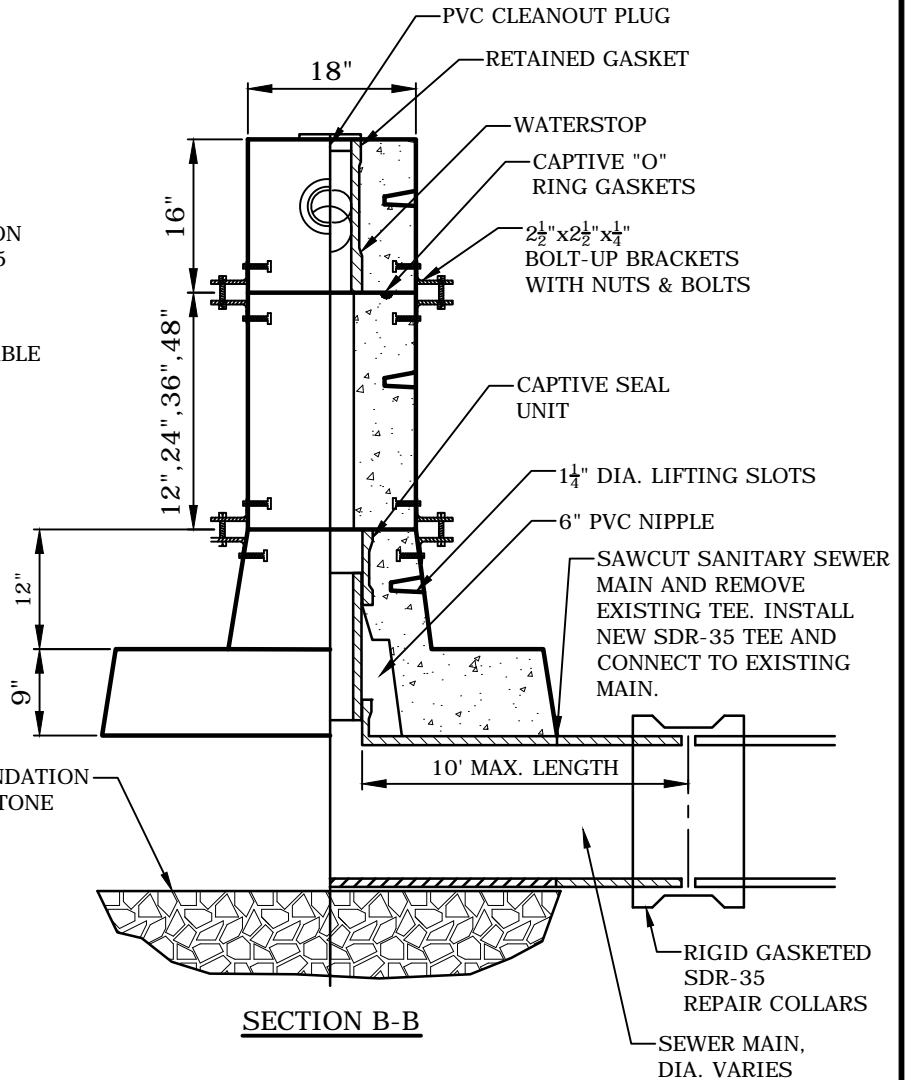
PLAN

NOTES:

- 1) CONCRETE STRENGTH 5,000 PSI @ 28 DAYS. DENSITY 150 PCF.
- 2) CEMENT PER ASTM C 150-81.
- 3) AIR ENTRAINING PER ASTM C 233-82.
- 4) REINFORCING PER ASTM A 615.
- 5) FILL VOID UNDER BRIDGING SECTION WITH SUITABLE BEDDING MATERIAL.
- 6) PVC FITTINGS PER ASTM D 3034.



SECTION A-A



SECTION B-B

PRECAST CHIMNEY REPLACEMENT

NO SCALE

May 03, 2013 10:28am Plotted By: JAR Tighe & Bond, Inc. J:\T\T0201\Sewer Repair Bid Package\Sketches\SK-T201-01.dwg

Tighe & Bond

1000 Bridgeport Avenue
Suite 320
Shelton, CT 06484
(203) 712-1100

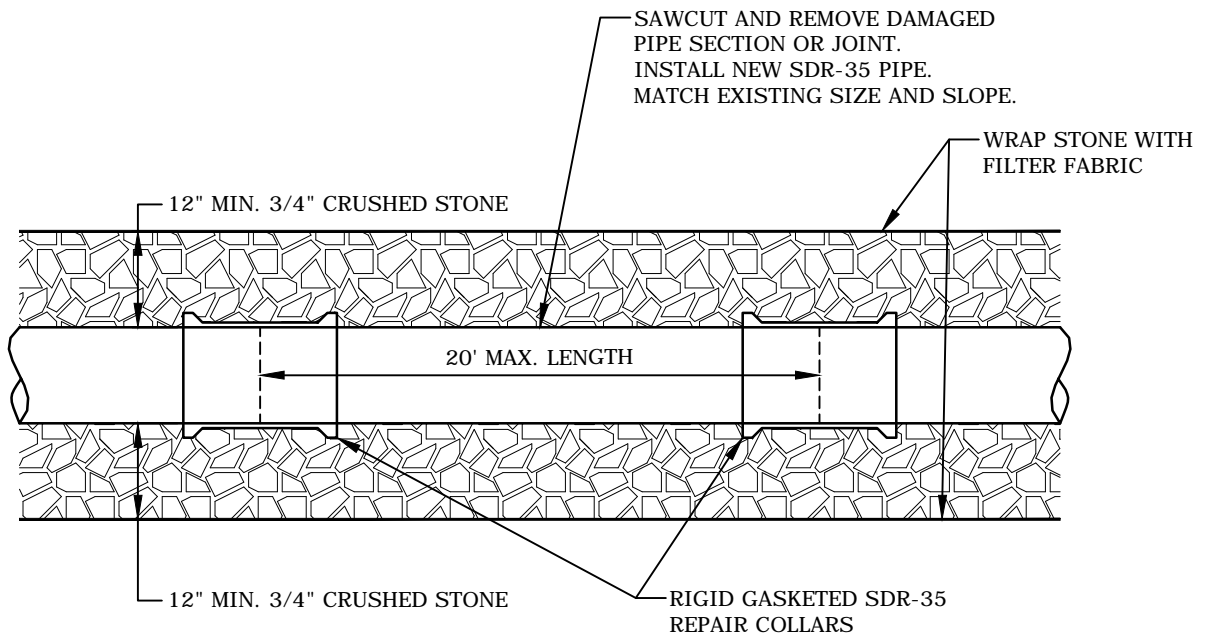
Scale: AS NOTED	Date:	Revision:
Job No. T0201		
Drawn By: MDS		
Date: 7/13/2012		

SEWER REPAIR PACKAGE
TRUMBULL CONECTICUT

**PRECAST CHIMNEY
REPLACEMENT**

SHEET NO:

SK-1



PVC - SANITARY SEWER POINT REPAIR
NO SCALE

May 03, 2013 10:28am Plotted By: JAR
Tighe & Bond, Inc. J:\T201\T201\Sewer Repair Bid Package\Sketches\SK-T201-01.dwg

Tighe & Bond

www.tigheandbond.com

1000 Bridgeport Avenue
Suite 320
Shelton, CT 06484
(203) 712-1100

Scale:
AS NOTED

Job No.
T0201

Drawn By:
MDS

Date:
7/13/2012

Date:

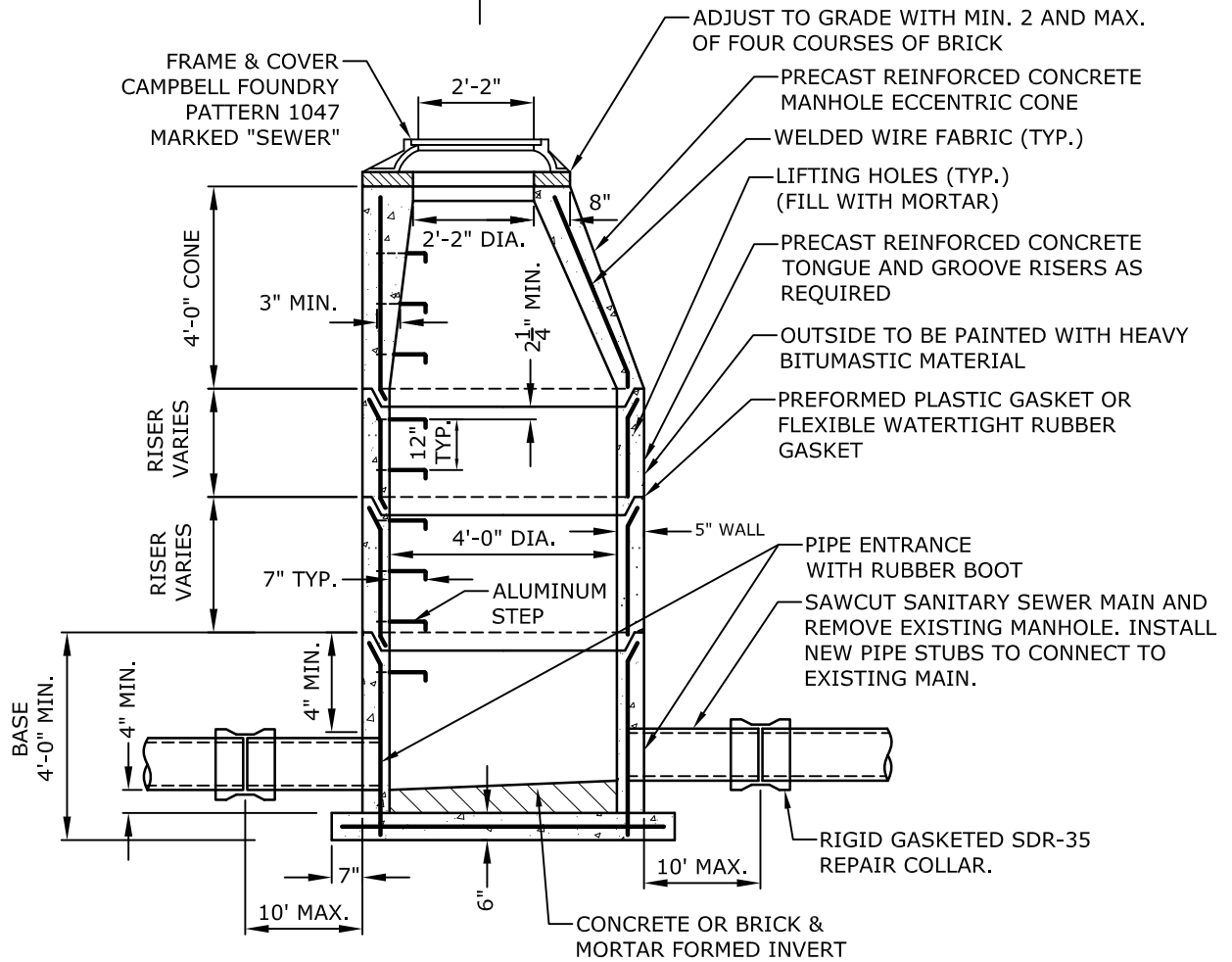
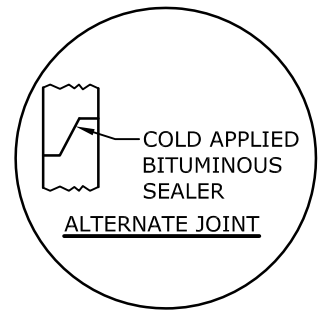
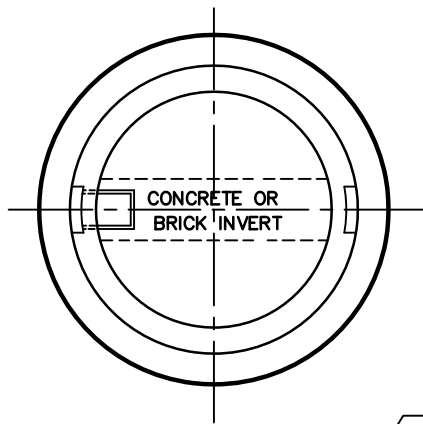
Revision:

SEWER REPAIR PACKAGE
TRUMBULL CONECTICUT

**PVC - SANITARY SEWER
POINT REPAIR**

SHEET NO:

SK-2



5' OR 6' DIA. PRECAST BASES MAY BE USED WHEN REQUIRED DUE TO SIZE OR NUMBER OF PIPES AT THE MANHOLE. PRECAST REDUCERS WILL BE PLACED ABOVE THE 5' & 6' BASES AS DIRECTED BY THE ENGINEER. WALL THICKNESS TO INCREASE 1" FOR EACH 1' OF INSIDE DIAMETER INCREASE.

PRECAST SANITARY SEWER REPLACEMENT
NO SCALE

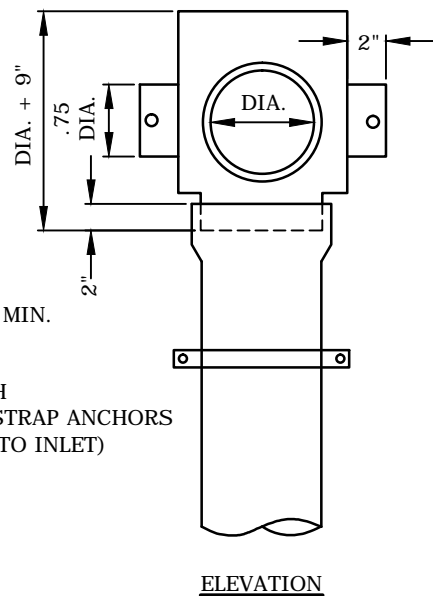
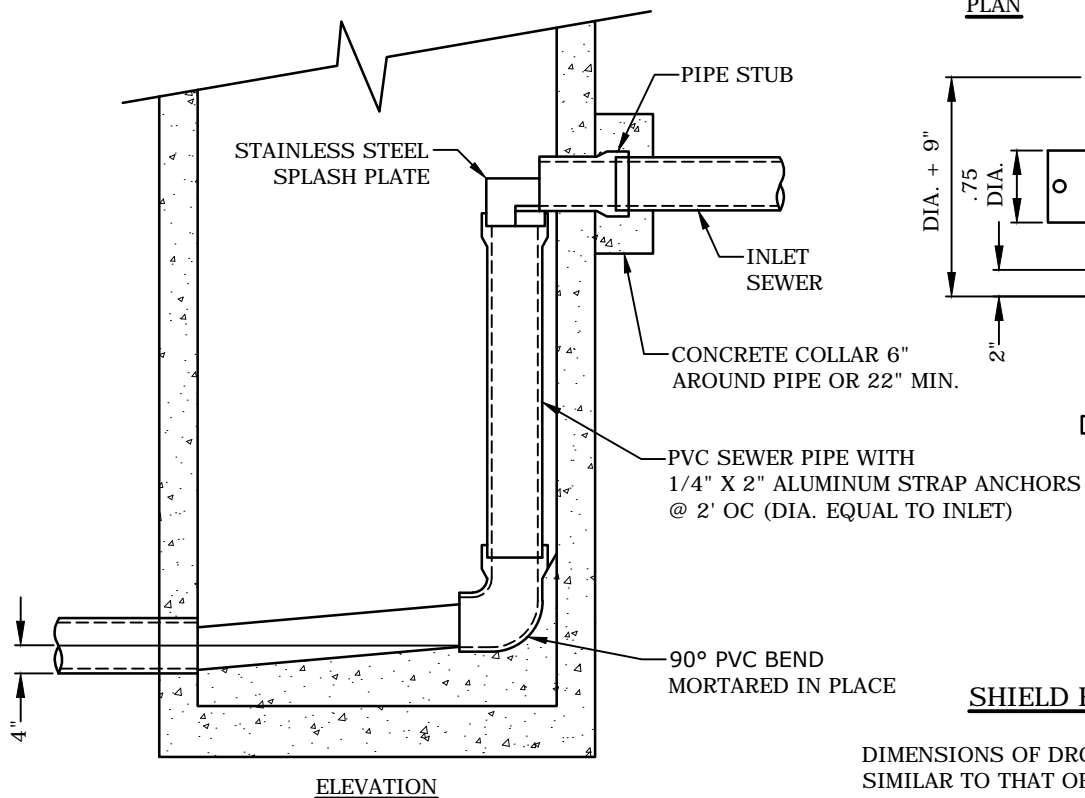
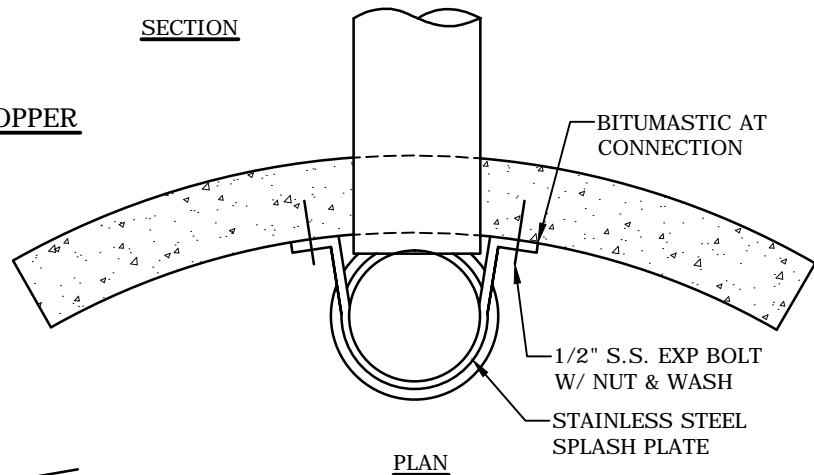
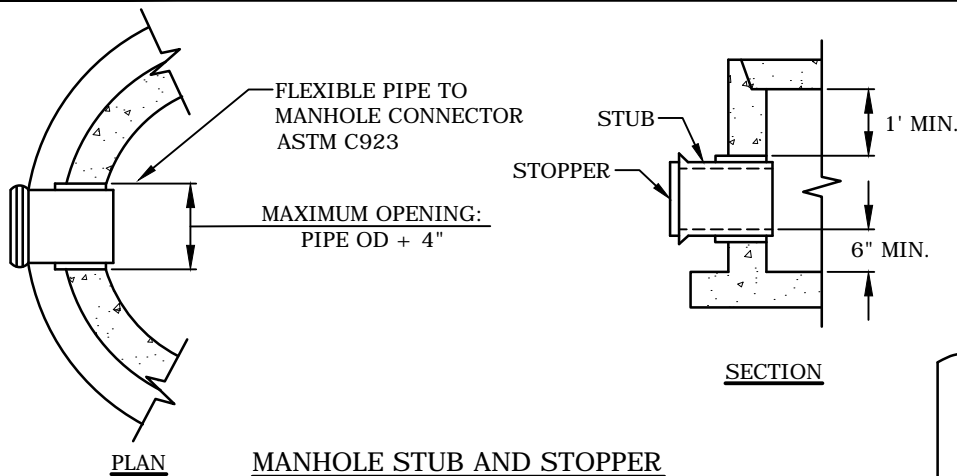
May 16, 2013-3:22pm Plotted By: JAR Tighe & Bond, Inc. J:\YT0201\Sewer Repair Bid Package\Sketches\SK-T201-01.dwg

Tighe & Bond
www.tighebond.com
1000 Bridgeport Avenue
Suite 320
Shelton, CT 06484
(203) 712-1100

Scale: AS NOTED	Date:	Revision:
Job No. T0201		
Drawn By: MDS		
Date: 7/13/2012		

<u>SEWER REPAIR PACKAGE</u> TRUMBULL CONNECTICUT
PRECAST SANITARY MANHOLE REPLACEMENT

SHEET NO: SK-3



DIMENSIONS OF DROP INLET ARE SIMILAR TO THAT OF THE TYPICAL MANHOLE EXCEPT AS NOTED OTHERWISE

INSIDE DROP IN MANHOLE
NO SCALE

May 03, 2013 10:28am Plotted By: JAR Tighe & Bond, Inc. J:\T\T0201\Sewer Repair Bid Package\Sketches\SK-T201-01.dwg

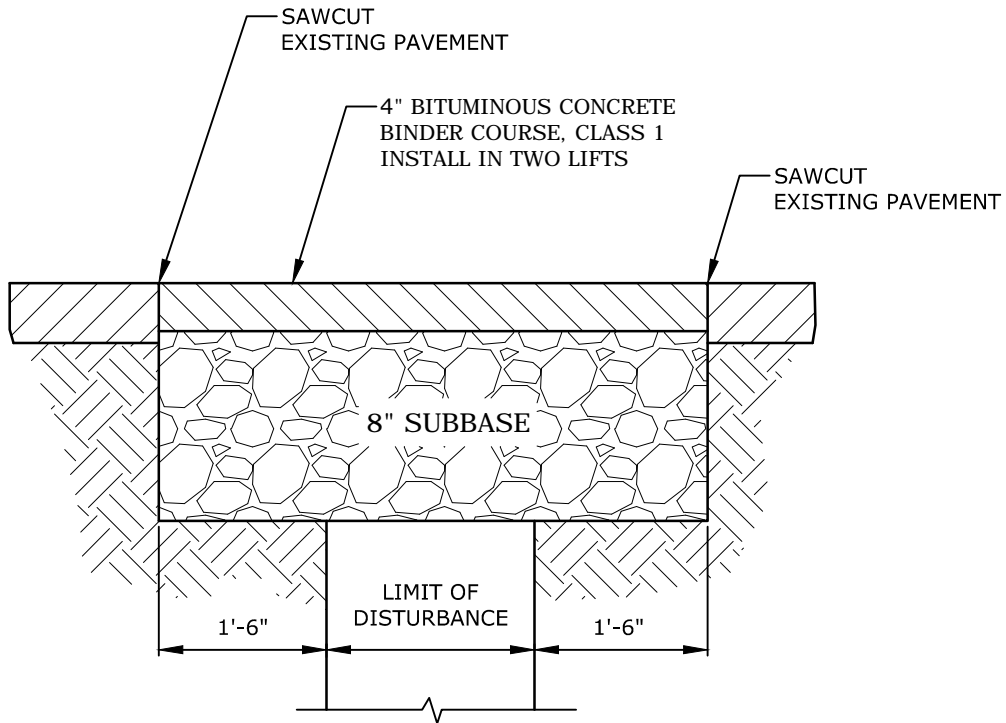
Tighe & Bond
www.tigheandbond.com
1000 Bridgeport Avenue
Suite 320
Shelton, CT 06484
(203) 712-1100

Scale: AS NOTED	Date:	Revision:
Job No. T0201		
Drawn By: MDS		
Date: 7/13/2012		

SEWER REPAIR PACKAGE
TRUMBULL CONECTICUT

**INSIDE
DROP IN MANHOLE**

SHEET NO:
SK-4



TEMPORARY PAVEMENT REPAIR

NO SCALE

May 03, 2013 10:28am Plotted By: JAR Tighe & Bond, Inc. J:\T\T0201\Sewer Repair Bid Package\Sketches\SK-T201-01.dwg

Tighe & Bond

www.tigheandbond.com

1000 Bridgeport Avenue
Suite 320
Shelton, CT 06484
(203) 712-1100

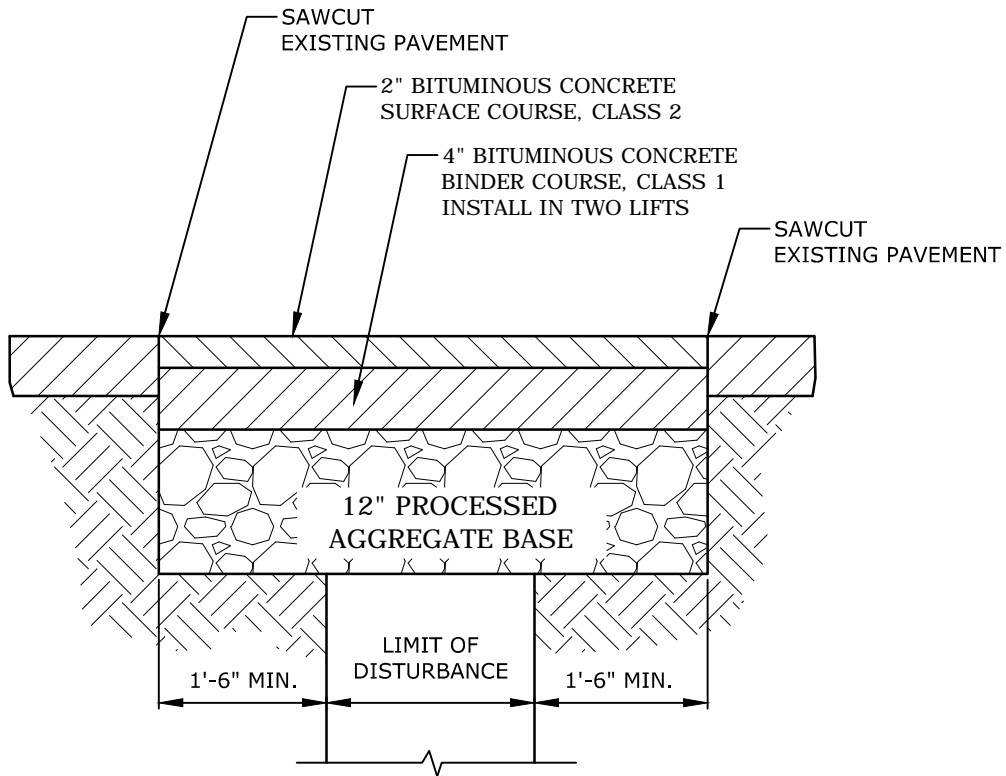
Scale: AS NOTED	Date:	Revision:
Job No. T0201		
Drawn By: MDS		
Date: 7/13/2012		

SEWER REPAIR PACKAGE
TRUMBULL CONECTICUT

**TEMPORARY
PAVEMENT REPAIR**

SHEET NO:

SK-5



PERMANENT PAVEMENT REPAIR

NO SCALE

May 03, 2013 10:28am Plotted By: JAR
Tighe & Bond, Inc. J:\T\T0201\Sewer Repair Bid Package\Sketches\SK-T201-01.dwg

Tighe & Bond

www.tigheandbond.com

1000 Bridgeport Avenue
Suite 320
Shelton, CT 06484
(203) 712-1100

Scale: AS NOTED	Date:	Revision:
Job No. T0201		
Drawn By: MDS		
Date: 7/13/2012		

SEWER REPAIR PACKAGE
TRUMBULL CONECTICUT

**PERMANENT
PAVEMENT REPAIR**

SHEET NO:

SK-6