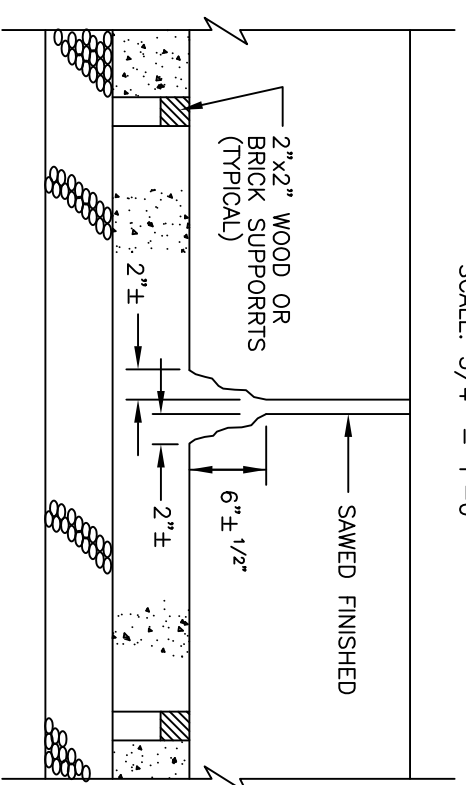


GRANITE STONE CURB

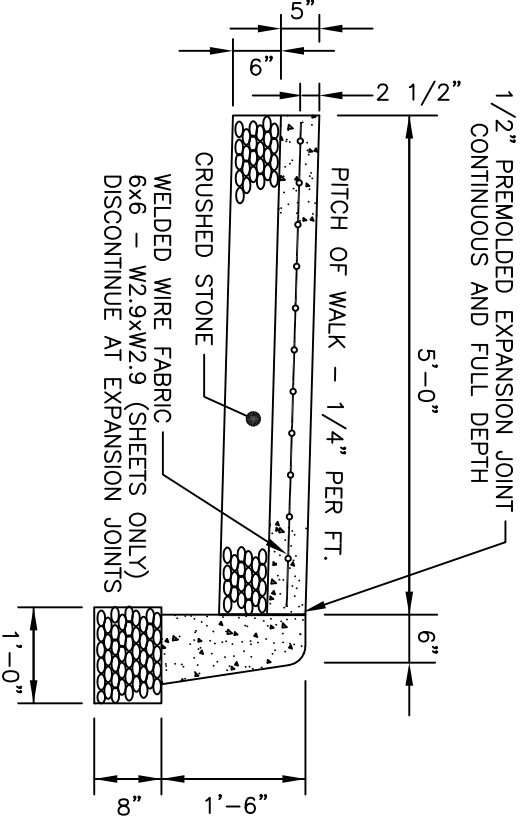
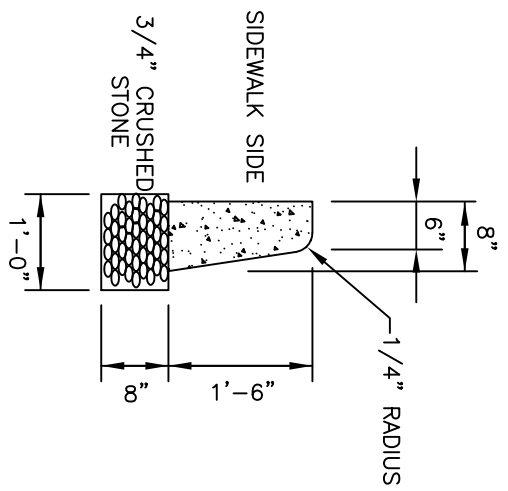
SCALE: 3/4" = 1'-0"



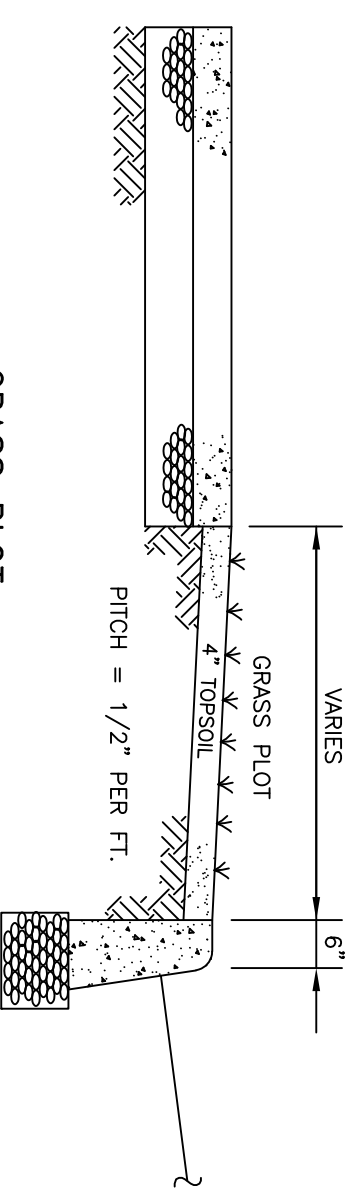
SECTION A-A

STANDARD CURB & SIDEWALK

SCALE: 1/2" = 1'-0"

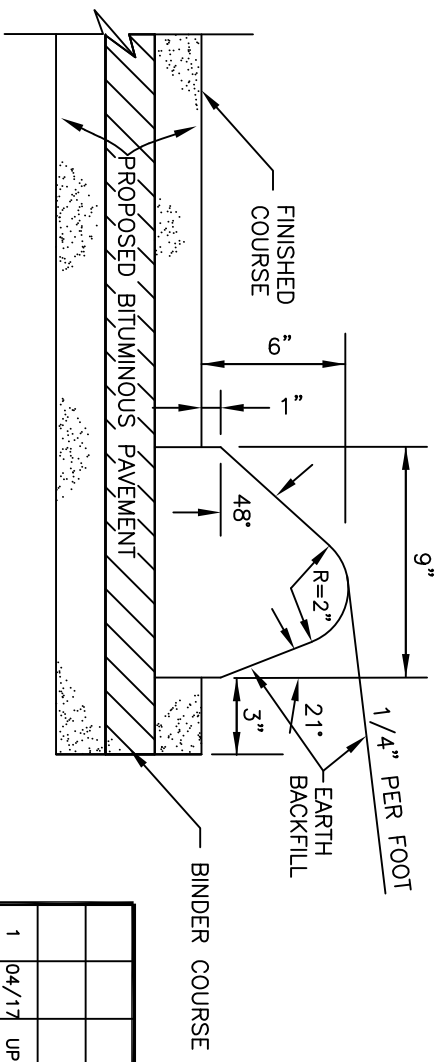


NOTE: A 1/8" STEEL DIVISION PLATE SHALL BE PLACED AT EVERY 10 FEET OF CURBING & REMOVED AFTER CONCRETE HAS SET. A 1/2" APPROVED BITUMINOUS JOINT SHALL BE PLACED AT A MAX. OF EVERY 20 FEET COINCIDING WITH EXPANSION JOINT IN SIDEWALK CONTRACTOR TO CONSTRUCT 2" BATTER ON CONCRETE CURBING (STREET SIDE ONLY)



GRASS PLOT

- NOTES:
1. ALL REINFORCING SHALL BE SUPPORTED ON CHAIRS OR OTHER POSITIVE TYPE SUPPORTS APPROXIMATELY ONE PER 25 SQ.FT.
 2. CONCRETE SHALL BE CLASS "C" CEMENT TYPE II, 3000 PSI
 3. AIR ENTRAINMENT SHALL BE BETWEEN 6 - 7%.



BITUMINOUS CONCRETE LIP CURBING

MACHINED FORMED

NO.	DATE	DESCRIPTION	CK.
1	04/17	UPDATED DETAILS	FS

REVISIONS

TOWN OF TRUMBULL

ENGINEERING DEPARTMENT

SKETCHES & CALCULATIONS

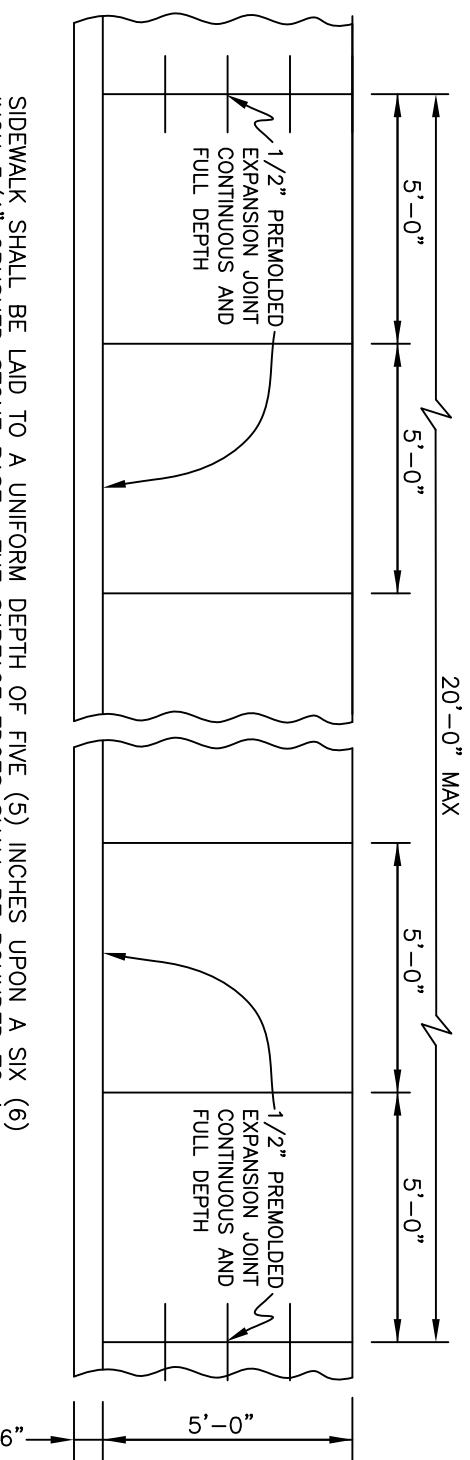
Project No. & Name _____ STANDARDS

Subject _____ SIDEWALKS & CURBING

Made by _____ FMS Date 8/13/14

Chk. by _____ FMS Date 8/13/14

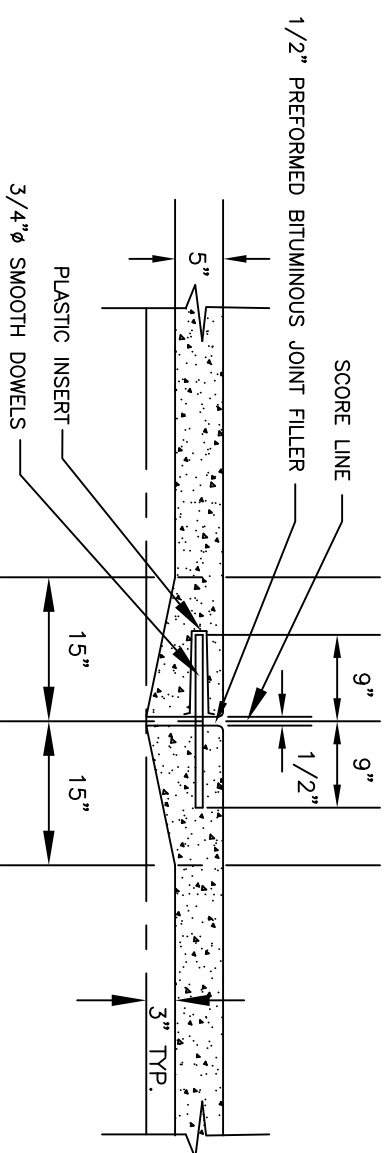
SW-1 Sheet No. 1 of 2



SIDEWALK SHALL BE LAID TO A UNIFORM DEPTH OF FIVE (5) INCHES UPON A SIX (6) INCH 3/4" CRUSHED STONE BASE. THE SURFACE EDGES SHALL BE ROUNDED TO A RADIUS OF 3/32 INCH.
 A 1/2" APPROVED BITUMINOUS JOINT SHALL BE PLACED TRANSVERSELY EVERY 20 FT. MAX. AND BETWEEN NEW CONCRETE CURBING AND SIDEWALKS. A CONTROL JOINT SHALL BE MADE AT 5' INTERVALS BETWEEN BITUMINOUS JOINTS. ANY CHANGES REQUIRED BY LOCAL CONDITIONS SHALL BE MADE ONLY BY ORDER OF THE CITY ENGINEER. CONTROL JOINTS SHALL BE A MIN. DEPTH OF 1" OR D/4

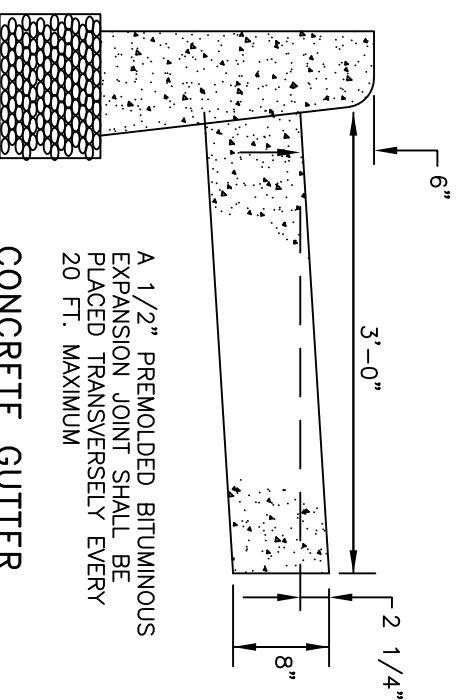
PLAN OF A SECTION OF CONCRETE SIDEWALK

SCALE: 1/4" = 1'-0"



PREFORMED EXPANSION JOINT DETAIL

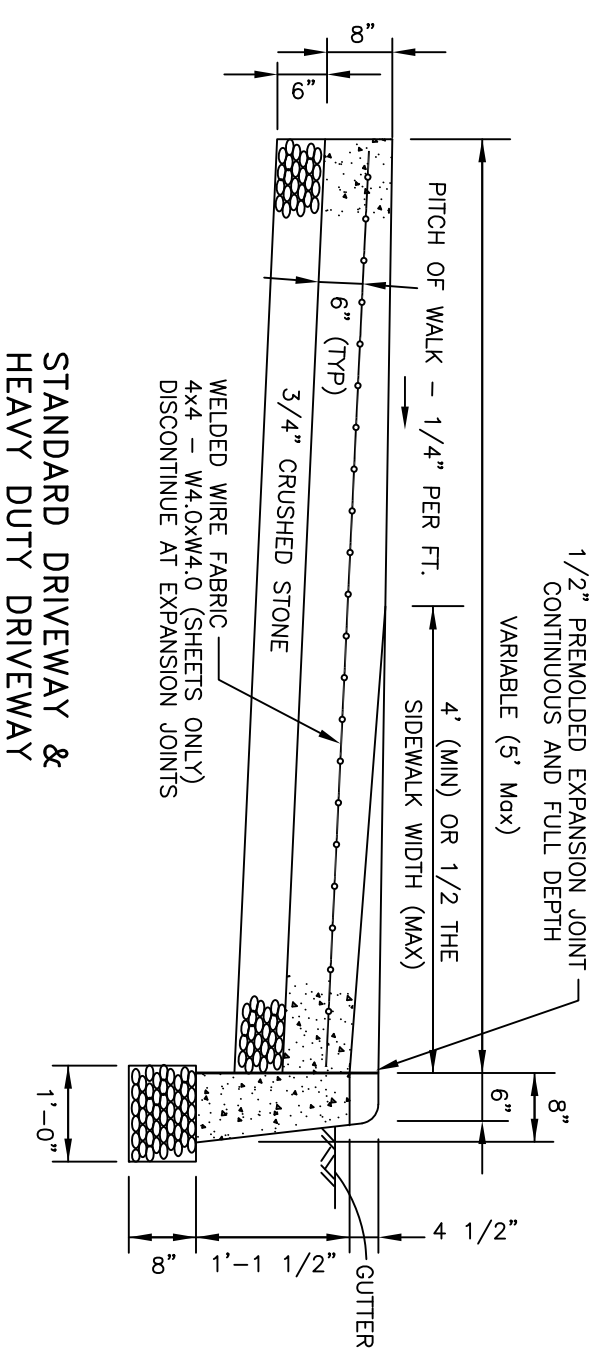
SCALE: 1/2" = 1'-0"



A 1/2" PREFORMED BITUMINOUS EXPANSION JOINT SHALL BE PLACED TRANSVERSELY EVERY 20 FT. MAXIMUM

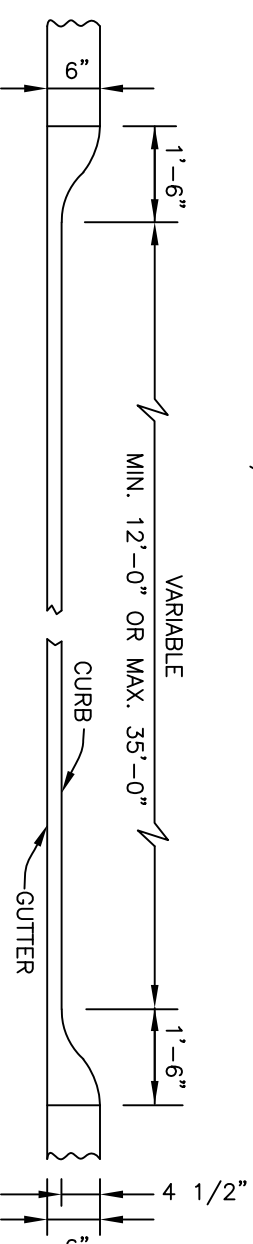
CONCRETE CUTTER

SCALE: 3/4" = 1'-0"



STANDARD DRIVEWAY & HEAVY DUTY DRIVEWAY

SCALE: 1/2" = 1'-0"



TYPICAL CONSTRUCTION OF CURB AT DRIVEWAY

SCALE: 1/2" = 1'-0"

- GENERAL NOTES:
1. ALL REINFORCING SHALL BE SUPPORTED ON CHAIRS OR OTHER POSITIVE TYPE SUPPORTS APPROXIMATELY ONE PER 25 SQ.FT.
 2. CONCRETE SHALL BE CLASS "C" CEMENT TYPE II, 3000 PSI
 3. AIR ENTRAINMENT SHALL BE BETWEEN 6 - 7%.
 4. A 1/2" PREFORMED EXPANSION JOINT SHALL BE UTILIZED BETWEEN ALL RIGID STRUCTURES INCLUDING WALLS AND NEW SIDEWALK WORK.
 5. ADDITIONAL CONTROL JOINTS SHALL BE PLACED AS REQUIRED TO ELIMINATE ANY CONDITION WHICH WILL CAUSE STRESS VERTICES (EXAMPLE AT CORNERS OF STRUCTURES)

NO.	DATE	DESCRIPTION	CK.
1	04/17	EXPANSION JOINT DETAIL	FS

REVISIONS

TOWN OF TRUMBULL
ENGINEERING

SKETCHES & CALCULATIONS

Project No. & Name STANDARDS
 Subject SIDEWALKS & CURBING
 Made by FMS Date 8/13/14
 Chk. by FMS Date 8/13/14
 SW-2 Sheet No. 2 of 2